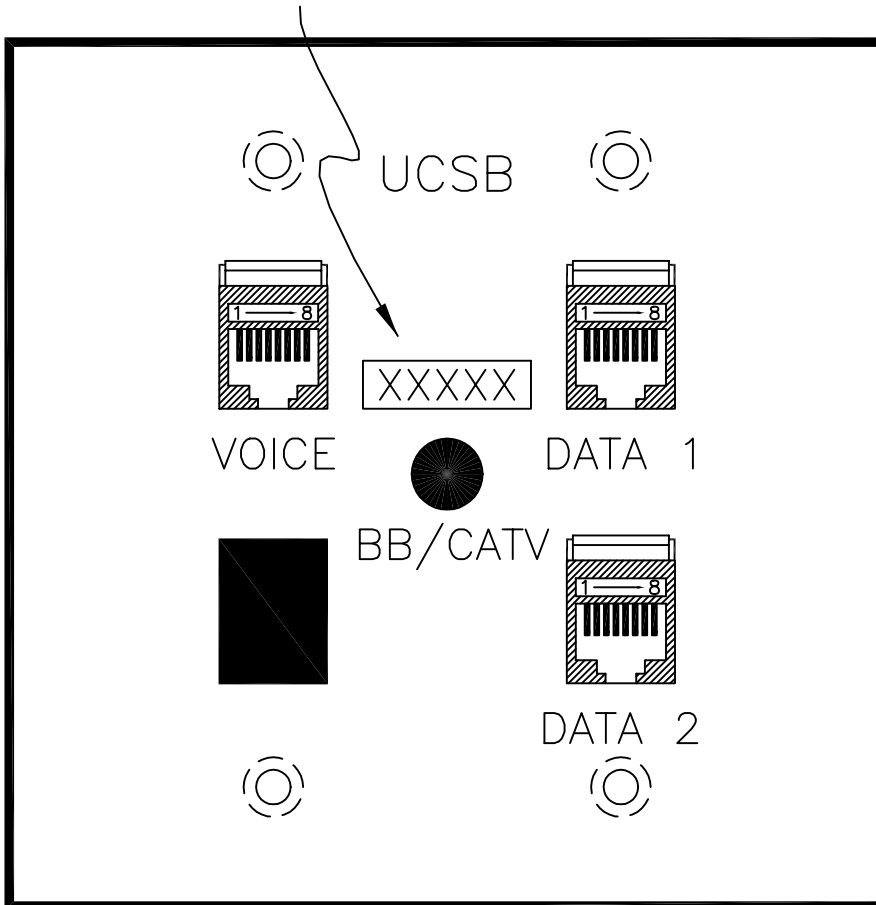


*STANDARD 3-JACK CATEGORY 5e  
WIRE WALLPLATE W/LABEL*

WALL PLATE LABEL (STATION ID#)



FULL SCALE

NOTE:

1. EACH WALL PLATE LABEL SHALL BE MARKED WITH A UNIQUE FIVE (5) DIGIT SEQUENTIAL NUMBER. THE NUMBERING WILL CONFORM TO EIA/TIA-606 STANDARD REPRESENTATIVE PRIOR TO INSTALLATION.

FILE: WP3TXTID

Work Order	Posted By	Date	Work Description	<b>UNIVERSITY of CALIFORNIA SANTA BARBARA</b>	
				Dept: COMMUNICATIONS SERVICES	Drawn By: DBOOTH
				Date: 3/17/00	DWG Notes:
				Title: FRONT VIEW 4X4 WALL PLATE 3-JACK	DWG Notes:
				File Name: WP3TXTID	Checked by: